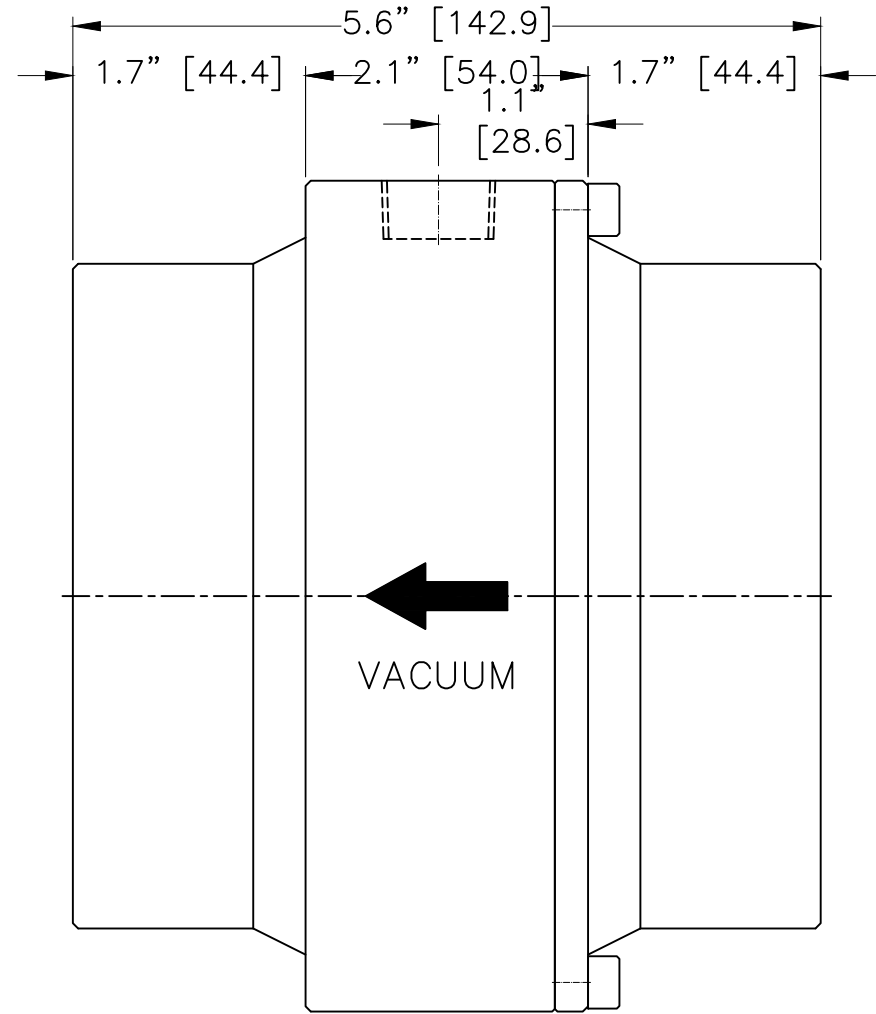
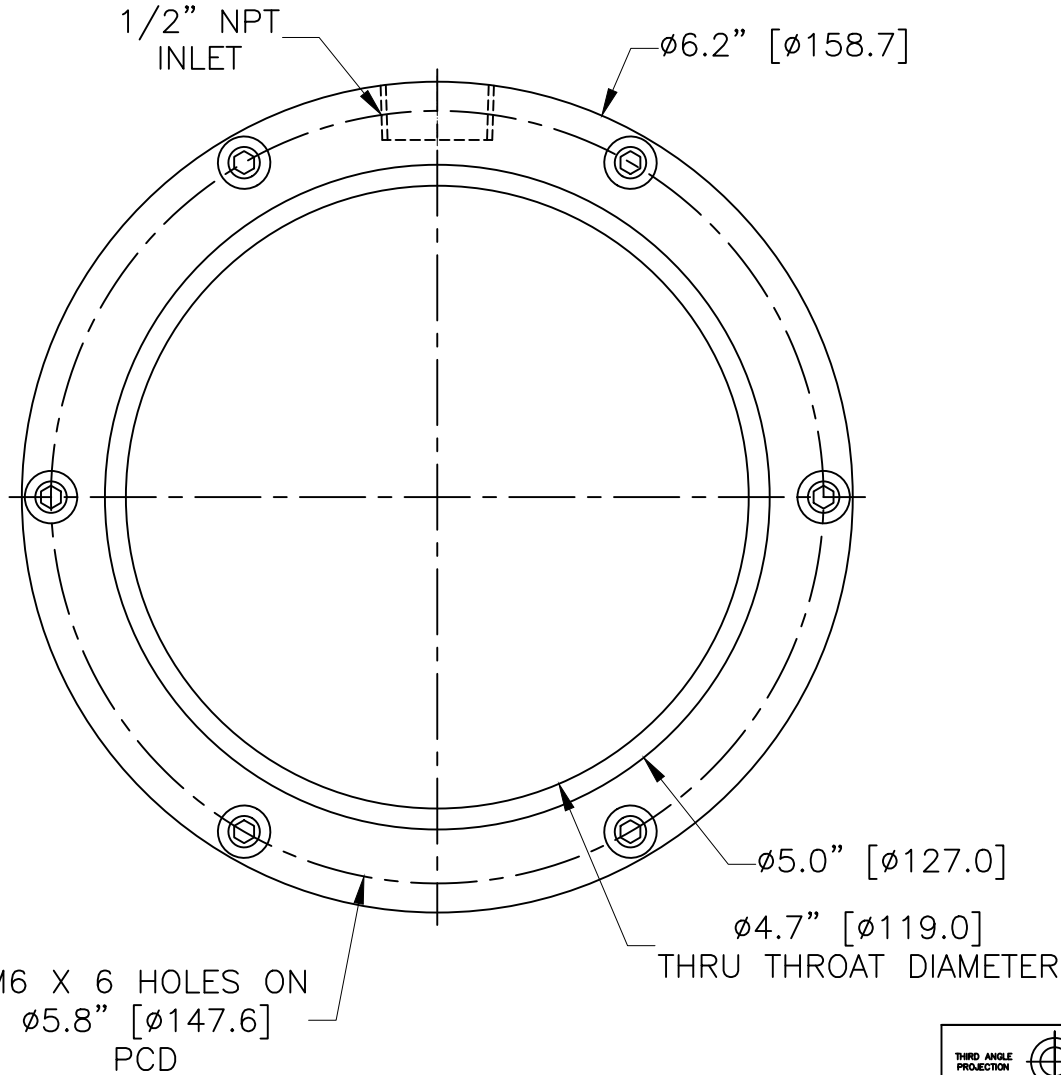


5" SS-316L RV OUTLINE



PROPRIETARY
REPRODUCTION OR DISTRIBUTION
WITHOUT WRITTEN CONSENT OF
NEXFLOW™ IS PROHIBITED.

THIRD ANGLE PROJECTION		REQUIREMENTS—UNLESS OTHERWISE SPECIFIED		CONTRACT NUMBER	NEX FLOW AIR PRODUCTS CORP. 10520 YONGE STREET, UNIT 35B-220, RICHMOND HILL, ON L4C 3C7 TEL: (416) 410-1313 & FAX: (416) 410-1806 www.nex-flow.com			
		GENERAL		CLIENT	TITLE			
MATERIAL	SS-316L	1. DIMS ARE IN INCHES (DIM.)		CONTRACTOR	5" SS-316L RING VAC OUTLINE			
		2. DIMENSIONING AND TOLERANCING IN ACCORDANCE WITH ANSI Y14.5 (1982)		DATE	SIZE			
FINISH	BUFFING	3. MACHINE FINISH 125 MICRO INCH RMS		DRAWN	CAGE CODE			
		4. INTERNAL RADII .015" (0.4)		DESIGN	PART NO			
		5. BREAK SHARP CORNERS 0.005" (0.1) TO 0.015" (0.4)		PROJECT	RELEASE			
		LIMITS		STRESS	REV			
		1. LINEAR DIMS.		MANUFACTURING	SCALE			
		.XXX = .005" (0.1)		MATERIALS	DWG NO			
		.XX = .010" (0.3)		ELECTRICAL	SHEET			
		.X = .030" (0.8)		1 OF 1				
		2. ANGLES = ± 1/2°						
		3. RUNOUT .010 TIR						
		4. HOLES IN ACCORDANCE WITH AND 10387						